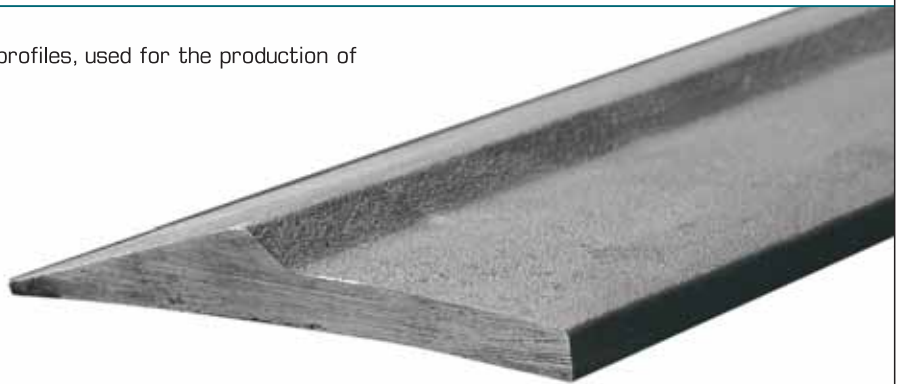
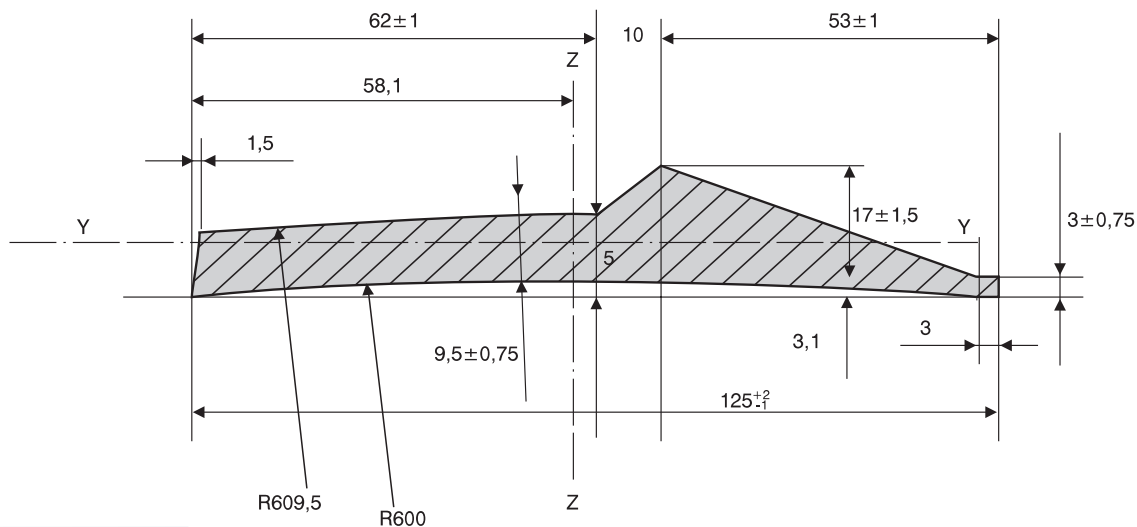


PLOUGHSHARE BLADES

Ploughshare Blades are special hot rolled profiles, used for the production of machines for agricultural uses.



DIMENSIONS & TOLERANCES



SALES NETWORK

GREECE

SIDENOR SA

33, Amaroussiou-Halandriou str.
GR-15125, Maroussi, Athens, Greece
Tel.: (+30) 210-6787798,
(+30) 210-6787111
Fax: (+30) 210-6787740

www.sidenor.gr

BULGARIA

STOMANA SA

1, Vladaisko Vastanie str.
BG-2304 Pernik, Bulgaria
Tel.: (+35) 976-681013
Fax: (+35) 976-681951

www.stomana.bg

STEEL CHEMICAL COMPOSITION & MECHANICAL PROPERTIES

STEEL GRADE	CHEMICAL COMPOSITION			MECHANICAL PROPERTIES		
	C (%) max	P (%) max	S (%) max	YIELD STRENGTH (N/mm ²) min	TENSILE STRENGTH (N/mm ²)	ELONGATION 5d ₀ (%) min
C 50	0.55	0.045	0.045	320	600-820	14